

UNIBLOCK RN

Type: independent monobloc for medium and large volume rooms

Power:

Medium temperature: 5200 ÷ 12800 Watt (76 ÷ 231)

Low temperature: 4400 ÷ 11700 Watt (64 ÷ 280)

Installation: wall mounted with condensing part outside, and evaporating part inside

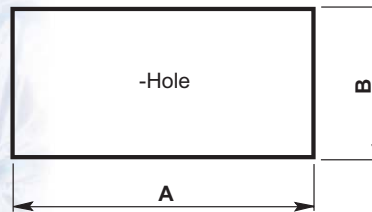
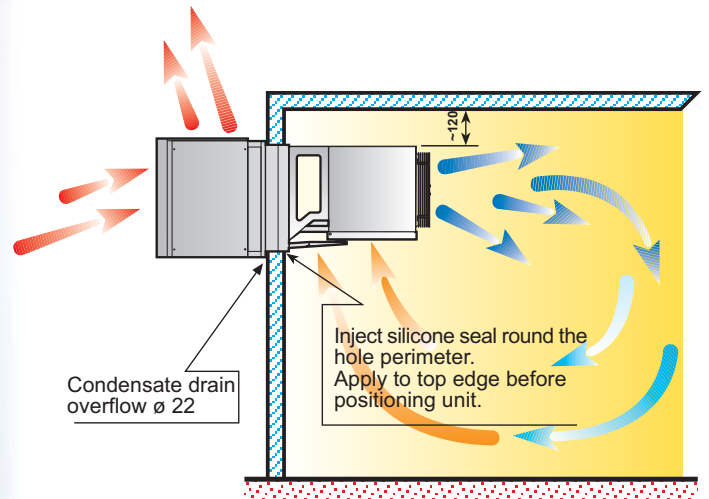
STANDARD CHARACTERISTICS

- Scroll compressor in soundproofed compartment
- Slow speed helicoidal fans
- Electronic speed regulator
- Expansion with thermostatic valve
- Fully automatic cyclic electric defrost
- Built-in electric panel
- New generation programmable electronic station
- Liquid receiver
- Liquid sight-glass

OPTIONS

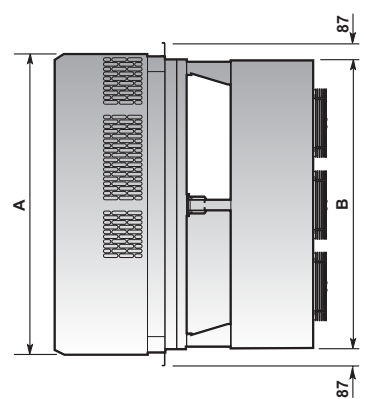
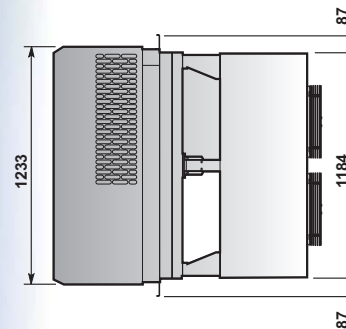
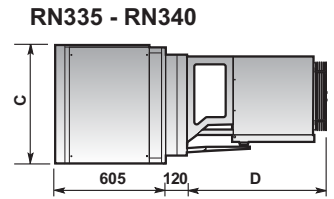
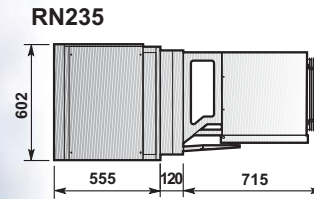
- Alarm signalling card
- Connection module for monitoring, remote management and recording of data by means of outside supervision system
- Module for remote use of keypad even beyond 10 metres
- Synchronization of operation of several machines mounted in a single cold room
- Remote control panel (for one or more machines mounted in the same cold room)
- Power supply control monitor
- Different voltage

WALL-MOUNTING



MOD.	A	B
RN235	1195	550
RN335	1600	550
RN340	1750	610

DIMENSIONS



Mod./mm.	A	B	C	D
RN335	1638	1589	652	765
RN340	1788	1739	702	788



UNIT	Voltage				COMPRESSION		CONDENSER	EVAPORATOR		REFRIGERATING CAPACITY (Watt)			
	Nominal absorption		Weight	Type	Nominal horsepower	Air volume	Air volume	Air throw*	T. ext. 35°C		T. ext. 40°C		
	V/Ph/Hz	KW							A	kg	kw	m³/h	m³/h
MEDIUM TEMPERATURE													
MRN235N02F	400/3N~/50	2.6	6.1	179	E	1.5	4000	4600	11	5179	-	4823	-
MRN235T02F	400/3N~/50	3.2	7.3	180	E	2.2	4000	4600	11	5933	-	5514	-
MRN335N02F	400/3N~/50	3.4	8.2	285	E	2.2	6000	6800	11	7652	-	7133	-
MRN335T02F	400/3N~/50	4	9.4	286	E	3	6000	6400	11	9089	-	8440	-
MRN340N02F	400/3N~/50	5	11.6	324	E	3.7	8000	8400	13	10990	-	10240	-
MRN340T02F	400/3N~/50	6.6	14.8	380	E	5.5	8000	8000	12	12766	-	11896	-
LOW TEMPERATURE													
BRN235N02F	400/3N~/50	3.5	7.7	191	E	3.7	4000	4600	11	-	4337	-	4024
BRN235T02F	400/3N~/50	4.4	9.5	193	E	3.7	4000	4600	11	-	4883	-	4569
BRN335N02F	400/3N~/50	6.2	13.6	343	E	5.5	6000	6800	11	-	6221	-	5793
BRN335T02F	400/3N~/50	7.9	16.8	343	E	7.5	6000	6400	11	-	7968	-	7454
BRN340N02F	400/3N~/50	8.6	18.5	390	E	7.5	8000	8400	13	-	9539	-	8827
BRN340T02F	400/3N~/50	10.2	21.7	400	E	9.2	8000	8000	12	-	11657	-	10748

E = Hermetic compressor
S = Semihermetic compressor
 * = Use "air throw" as a base. Air throw is affected by many factors such as height of room, product storage, location of evaporator, etc.